



# PK SERIES D - ENFORCER 12mm Mini-Mag Gun

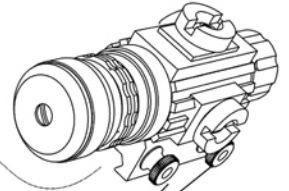
手枪

TARGETING LASER ATTACHMENT ON K.M.S. ISSUE

激光

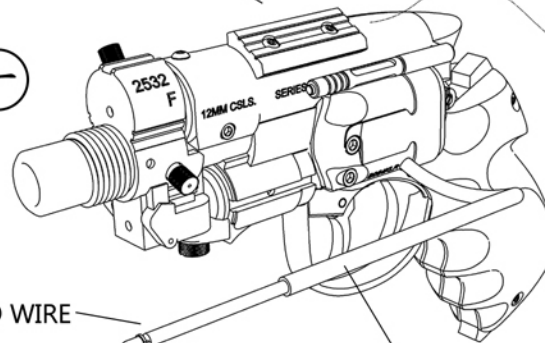
机密文件

LOOSEN THUMB NUTS ON LASER BODY CLAMP  
AND CAREFULLY SLIDE TARGETING ASSEMBLY  
ONTO MOUNT BRACKET



THUMB NUTS

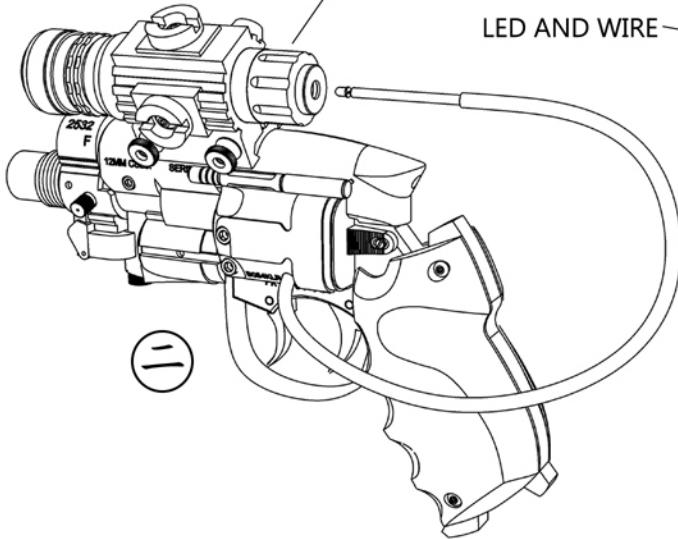
①



LED AND WIRE

BRAIDED SLEEVE

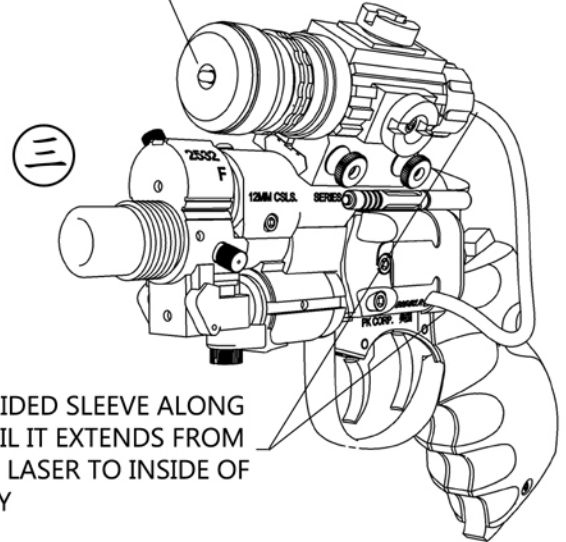
TARGETING ASSEMBLY



INSERT LED INTO TARGETING  
ASSEMBLY

②

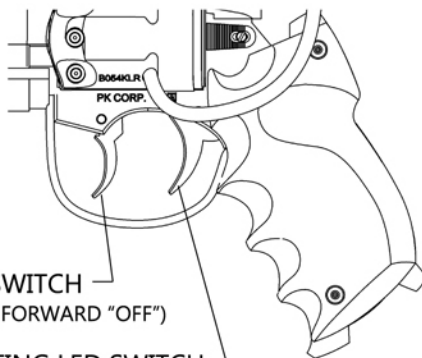
LED SHOULD EXTEND OUT  
OF THE END SLIGHTLY



SLIDE BRAIDED SLEEVE ALONG  
WIRE UNTIL IT EXTENDS FROM  
INSIDE OF LASER TO INSIDE OF  
GUN BODY

FRONT TRIGGER ACTIVATES POWER  
REAR TRIGGER ACTIVATES TARGETING LED

④



ON/OFF SWITCH  
(BACK "ON", FORWARD "OFF")

TARGETING LED SWITCH  
(ACTIVATES WHEN FRONT TRIGGER  
IS IN THE "ON" POSITION)

NOTE: APPLY GENTLE PRESSURE ONLY TO TRIGGERS